

EN ISO 9905

Standart

SKY

Thermal-Oil Pumps With Air Cooled



ST SKY 00 08-10 EN

Handled Liquids

SKY Type pumps are suitable for heat-transfer oils and low viscosity industrial oils which do not contain abrasive particles.

Technical Data

Discharge Nozzle Range — DN 32 DN 150 mm

Capacities — up to 450 m³/h

Heads — up to 90 m

Speed — up to 3000 rpm

Operating Temperature — up to 320 °C

Cooling Method — With air

Casing Pressure (Pmax) — 16 bar

(Pmax : Suction Pressure + Shut off Head)

(*) The material of pump differs according to the type of pumped liquid , operating temperature and pressure. Contact our company for detailed information.

Applications

- Chemical and Pharmaceutical Industry
- Food Industry
- Iron&Steel Industry
- Textile, Leather and Paper Industry
- Rubber and Plastics Industry
- Paint Industry
- Tar and Bitumen Processing Industry
- Wood Processing and Furniture Industry

Design Features

- Horizontal , single stage, end suction, volute type, air-cooled centrifugal pumps with closed impeller.
- The suction and discharge flanges are conforming to ISO 7005-2/PN 16.
- All impellers are dynamically balanced according to ISO 1940 Class 6.3

Pump Designation

Pump type _____

Discharge nozzle (DN) _____

Nominal impeller diameter _____

- Due to the back-pull-out design the complete bearing assembly including impeller and casing cover can be dismantled without removing the volute casing from the pipe system.

- Axial thrust is balanced by back balancing ribs.

Bearings

- Pump shaft is supported by two heavy duty grease lubricated ball bearings.
- Depending on customer requirement pumps with oil lubricated bearings are available.

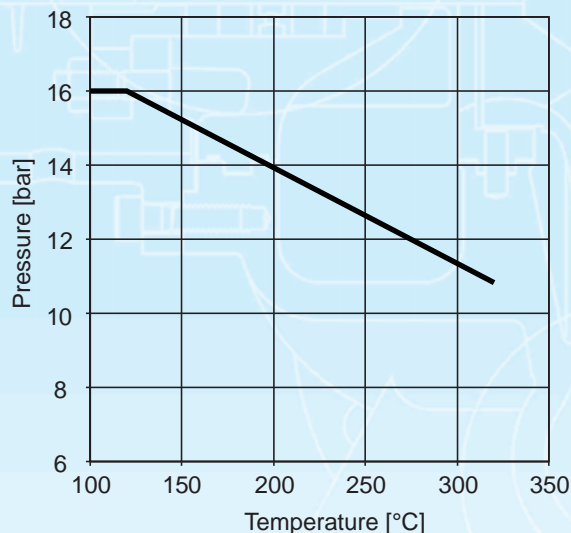
Shaft seal

- Single mechanical seal suitable for high temperatures.

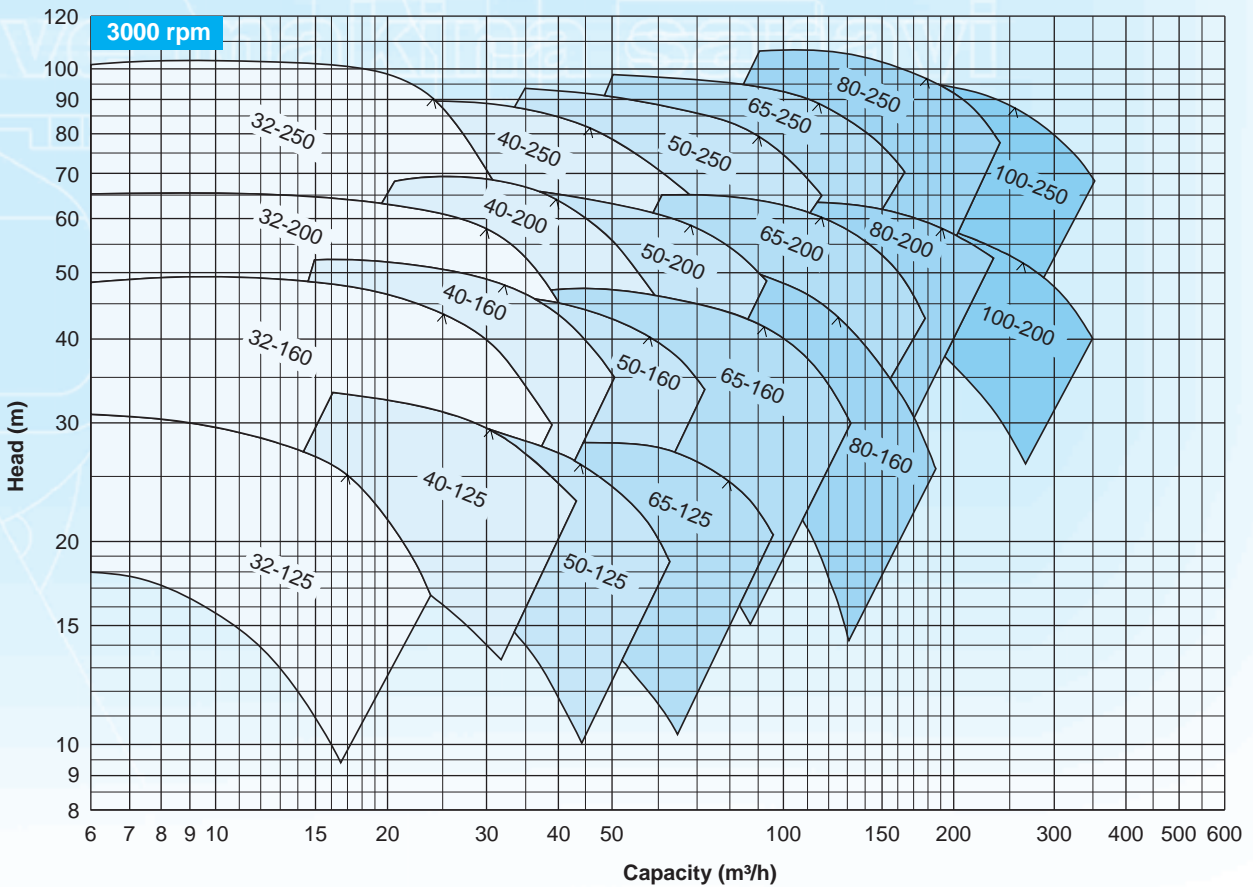
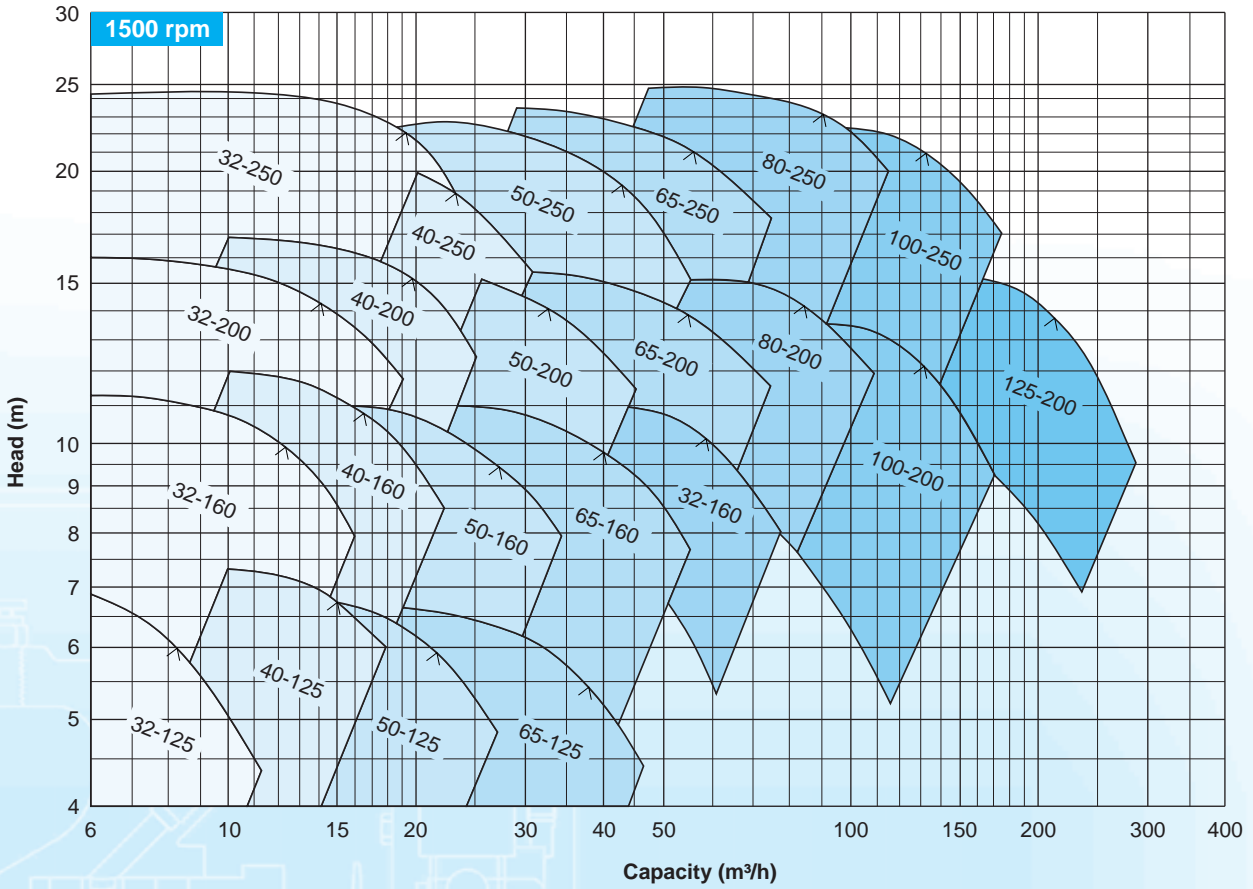
Direction of Rotation

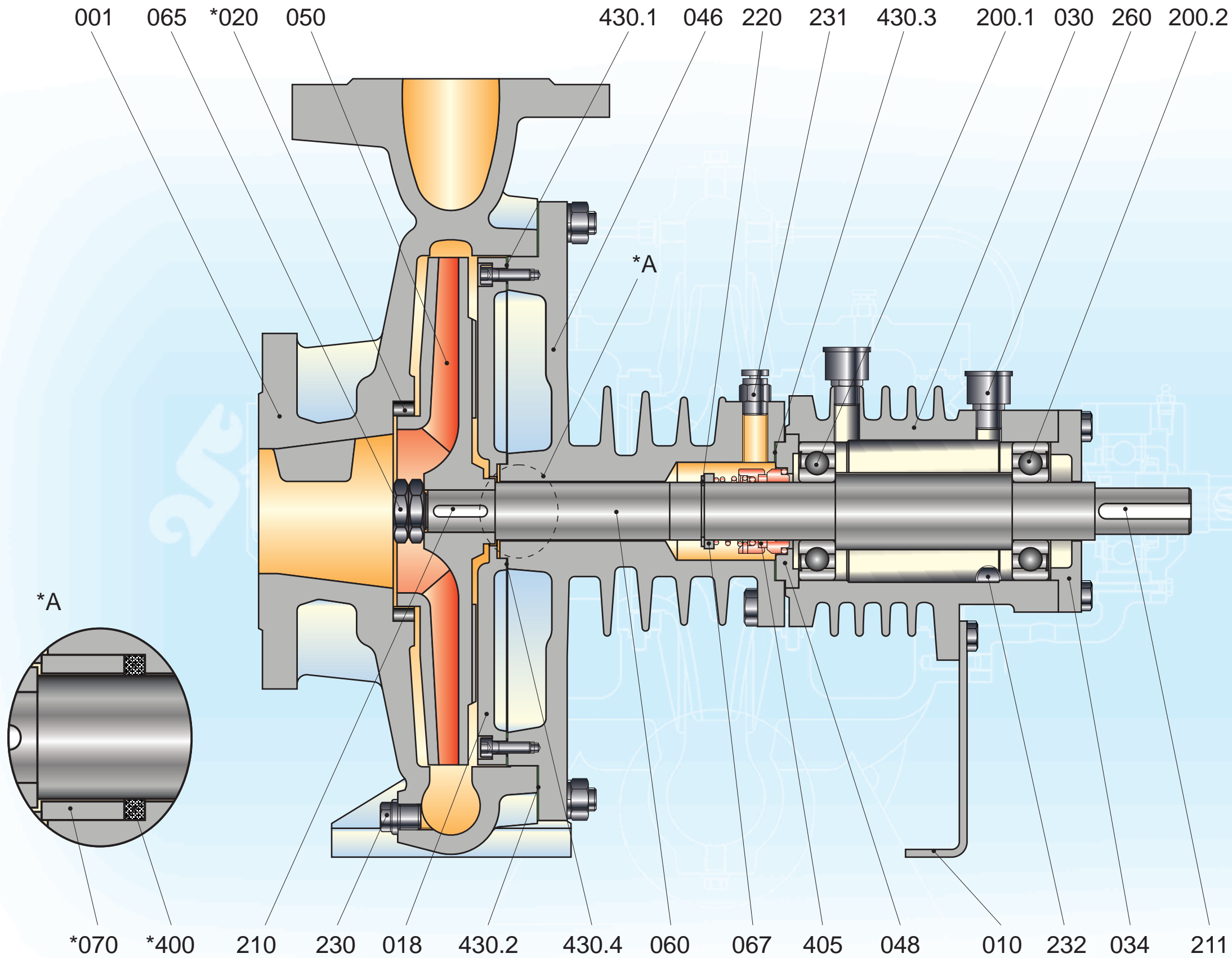
- The direction of rotation is clockwise (CW) viewed from the driver end.

Pressure & Temperature Limits



SKY 100 - 250

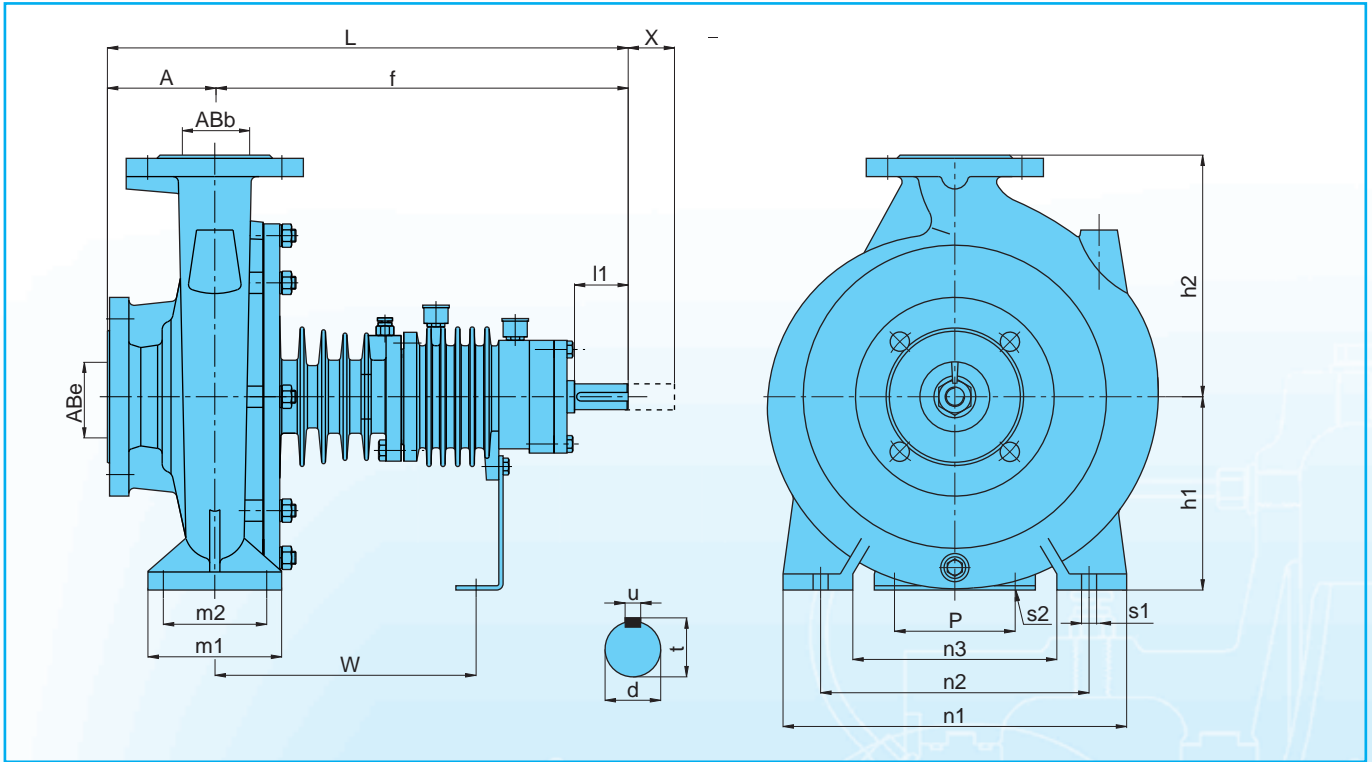




Part List

- 001 — Volute casing
- 010 — Frame foot
- 018 — Wear plate
- *020 — Wear ring
- 030 — Bearing housing
- 034 — Bearing cover
- 046 — Casing cover
- 048 — Mechanical seal cover
- 050 — Impeller
- 060 — Shaft
- 065 — Impeller nut
- 067 — Spacer sleeve (Mech. seal)
- *070 — Spacer sleeve (Soft pack.)
- 200 — Ball bearing
- 210 — Impeller key
- 211 — Coupling key
- 220 — Circlip
- 230 — Drain plug
- 231 — Air venting plug
- 232 — Grease drain plug
- 260 — Grease nipple
- *400 — Soft packing
- 405 — Mechanical seal
- 430.1 — Gasket (Wear plate)
- 430.2 — Gasket (Casing)
- 430.3 — Gasket (Mech. seal cover)
- 430.4 — Gasket (Wear plate)

*Optional



Dimensions (mm)

Pump Type	Overall Dimensions							Support & Feet Dimensions							Shaft End			Space						
	ABe	AB	a	f	L	h1	h2	m1	m2	n1	n2	n3	s1	w	d	l	t	u	x*					
32-125	50	32	80	385	465	112	140	100	70	190	140	90	14	285	24	50	27	8	50					
40-125	65	40				132	160				245	190								145				
50-125	65	50				100	485				160	180								125	95	280	212	150
65-125	80	65																						
32-160	50	32	80	385	465	132	160	100	70	245	190	145	14	285	24	50	27	8	50					
40-160	65	40				180	212				150													
50-160	65	50				100	485				160	200								125	95	280	250	190
65-160	80	65																						
80-160	100	80	125	395	520	180	225			320	250	190		295										
32-200	50	32	80	385	465	180	180	100	70	240	190	140	14	285	24	50	27	8	50					
40-200	65	40				200	266				212	166												
50-200	65	50				100	485				180	225								125	95	320	250	190
65-200	80	65																						
80-200	100	80	125	500	625	180	250	125	95	345	280	215	18	355	32	80	35	10	80					
100-200	125	100				505	630				200	280								160	120	360	280	200
125-200	150	125				140	505				645	250								315	165	120	390	310
32-250	50	32	100	385	485	180	225	125	95	320	250	190	14	285	24	50	27	8	50					
40-250	65	40				250	360				280	200												
50-250	65	50																						
65-250	80	65	125	495	595	200	250	160	120	360	280	200	18	350	32	80	35	10	80					
80-250	100	80				620	280				400	315								240				
100-250	125	100				140	500				640	225								280	110	400	315	240

(*) Gap necessary for the withdrawal of the pump rotor from the driven end without the need for disconnecting the motor and pipework (spacer coupling application).

Material Options

Parts List	0.6025	0.7040	1.4021	1.4401
Volute casing		●		
Casing cover		●		
Impeller	●	○		
Shaft			●	○
Bearing housing	●	○		
Wear ring (Casing)	○	●		
Wear plate	○	●		
Mechanical seal	EN 12756 / DIN 24960			

- Standard manufacturing
- Optional

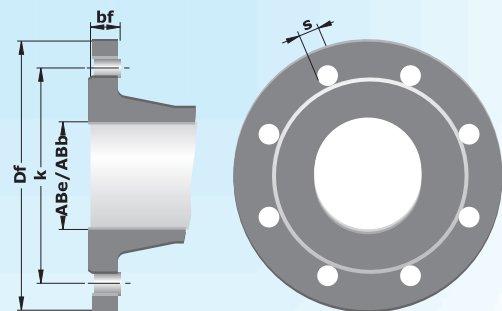
Material Equivalents

Description	DIN 17007	EN-DIN	ASTM
Cast iron	0.6025	GJL-250 (GG 25)	A 48 Class 40-B
Nodular cast iron	0.7040	GJS-400-15 (GGG 40)	A 536 Gr. 60-40-18
Chrome steel	1.4021	X20 Cr 13	A 276 Type 420
Chrome nickel molybdenum steel	1.4401	X5 Cr Ni Mo 17-12-2	A 276 Type 316

Flange Dimensions

Pump Type	Suction (PN 16)						Discharge (PN 16)					
	ABe	Df	k	s	n	bf	ABb	Df	k	s	n	bf
32	50	165	125	18	4	20	32	140	100	18	4	18
40	65	185	145	18	4	20	40	150	110	18	4	18
50	65	185	145	18	4	20	50	165	125	18	4	20
65	80	200	160	18	8	22	65	185	145	18	4	20
80	100	220	180	18	8	24	80	200	160	18	8	22
100	125	250	210	18	8	26	100	220	180	18	8	24
125	150	285	240	23	8	26	125	250	210	18	8	26

" n " number of holes





Standart
POMPA ve MAKİNA SANAYİ TİC. AŞ.

www.standartpompa.com / e-mail: info@standartpompa.com.tr

Factory - Center

İdos Organize Sanayi Bölgesi
2.Cad No:9 34775
İstanbul - TÜRKİYE
Pbx: +90 216 466 89 00
Fax: +90 216 415 88 60